

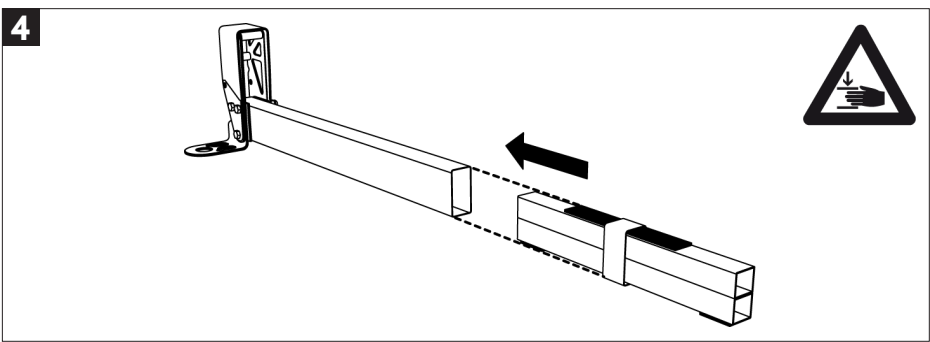
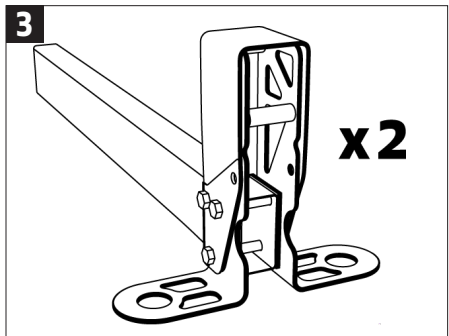
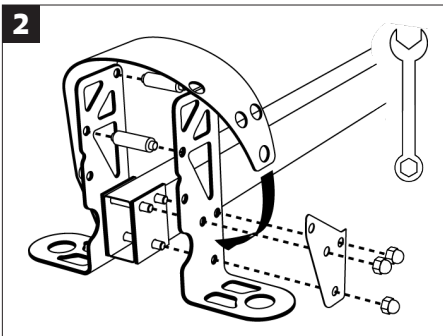
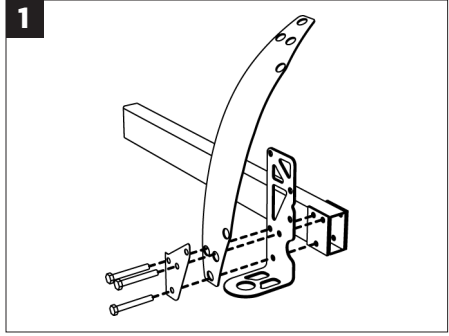
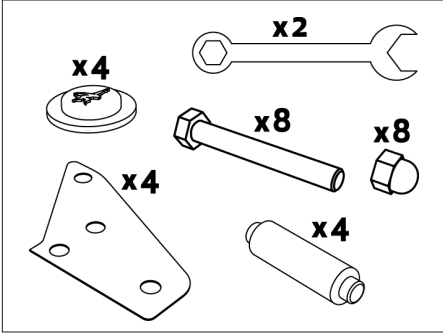
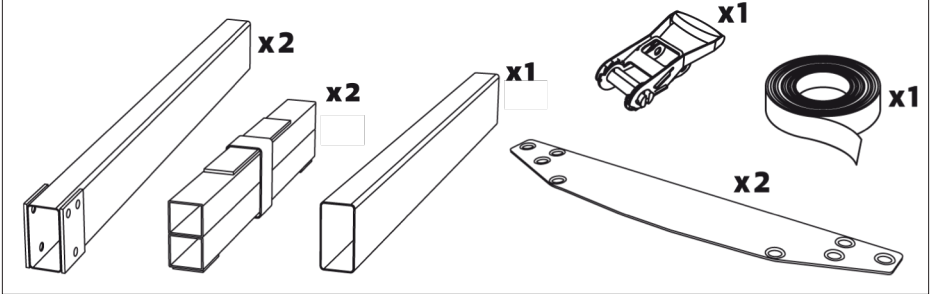


USER GUIDE

SLACKRACKFITNESSEDITION

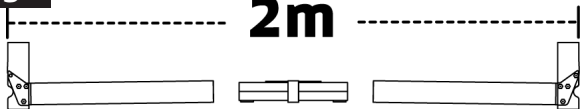
The enclosed liability exclusion contains important safety information. Before using the slackline read this manual carefully and make sure you understand and agree to all warnings, cautions, instructions, and safety recommendations. Periodically review the information in this manual and inspect your slackline and your rack regularly for signs of damage. Do not use the slackline unless you accept all risk of injury and/or death that may result from your use.

SET CONTENT



5A

2m

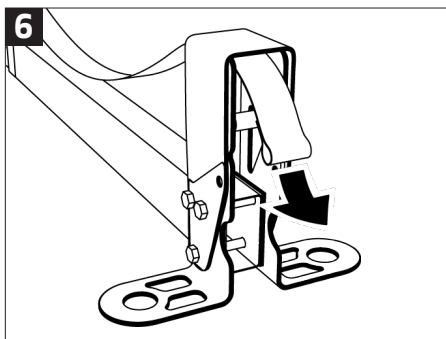


5B

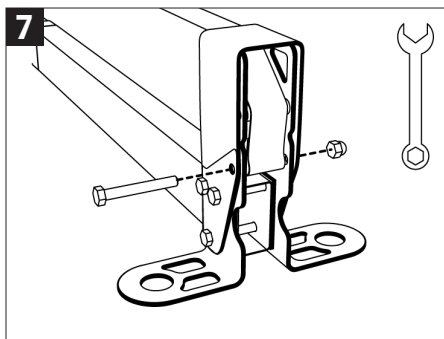
3m



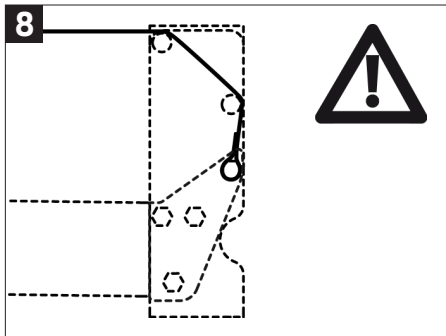
6



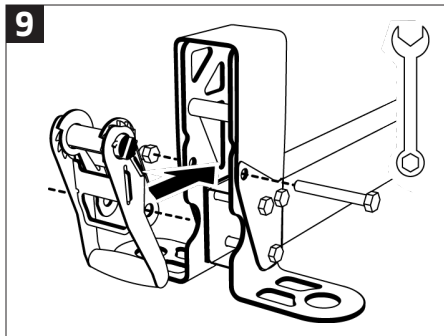
7



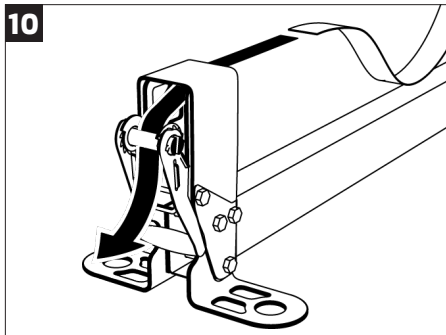
8



9



10



11

